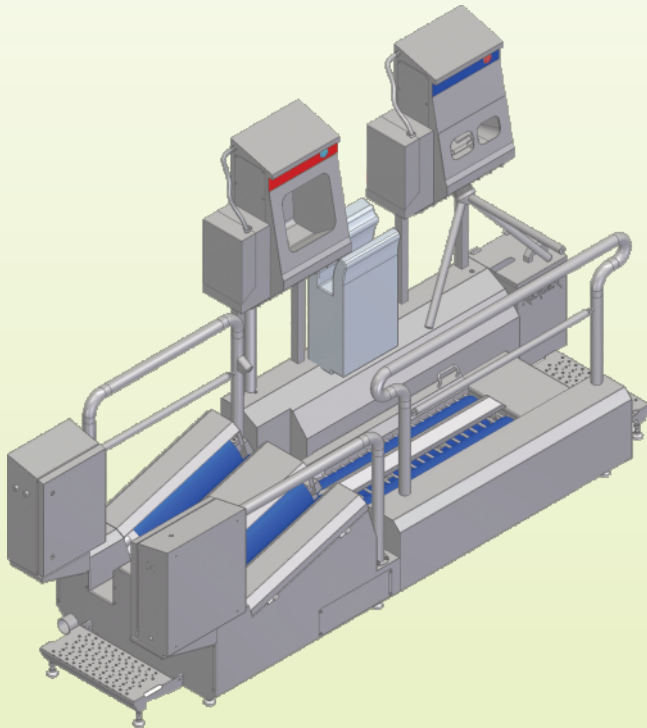
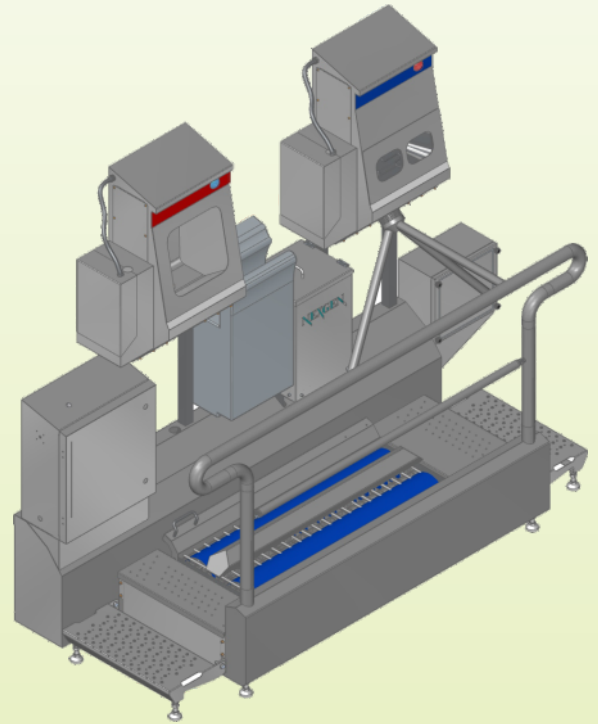


ACCESS TO YOUR PROCESS AREA WITH HIGHEST LEVEL OF HYGIENE
PERSONNEL HYGIENE STATIONS

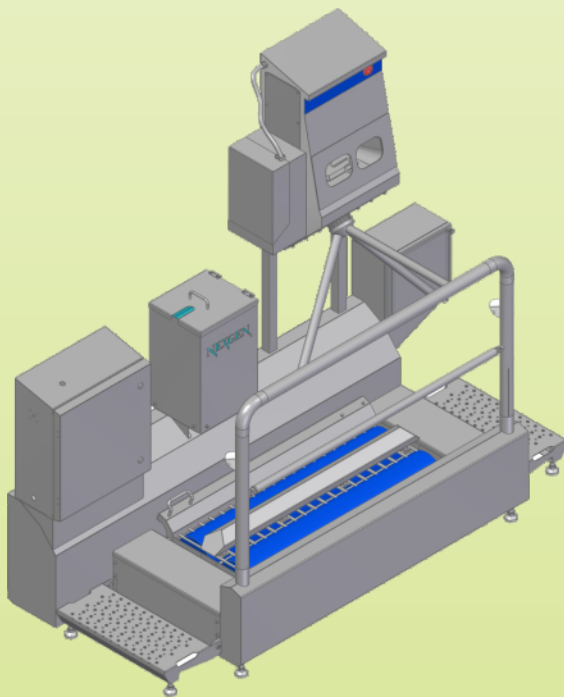
Modular Hygiene Stations for Compulsory Complete Sanitation of Hands and Sole with Controlled Entry



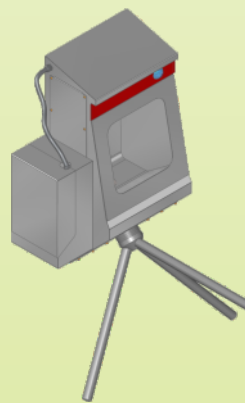
Walk-through Complete Hygiene Station with Boot Cleaning
(Boot Cleaning + Sole Cleaning + Hand Washing
+ Hand Sanitation + Hand Drying)



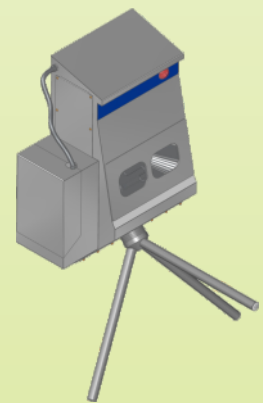
Walk-through Complete Hygiene Station
(Sole Cleaning + Hand Washing + Hand Drying
+ Hand Sanitation)



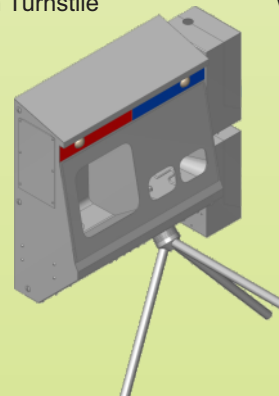
Walk-through Sole Cleaning and
Hand Sanitation Station



2 Hand Soap Dispensing + Hand
Washing Unit with Turnstile



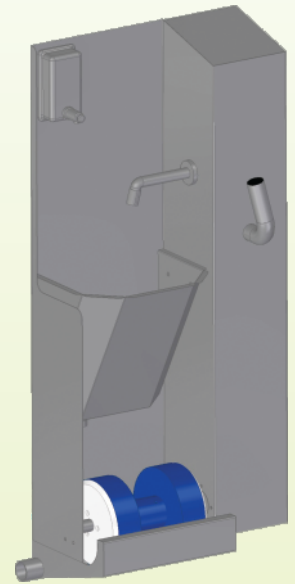
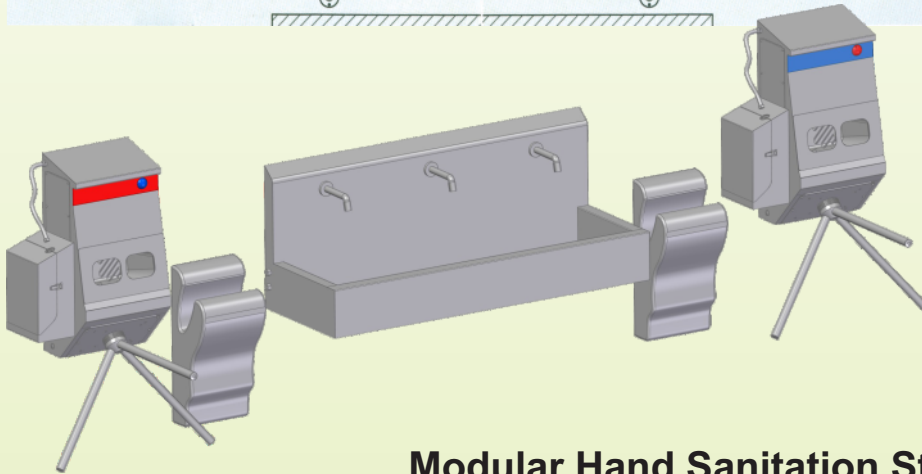
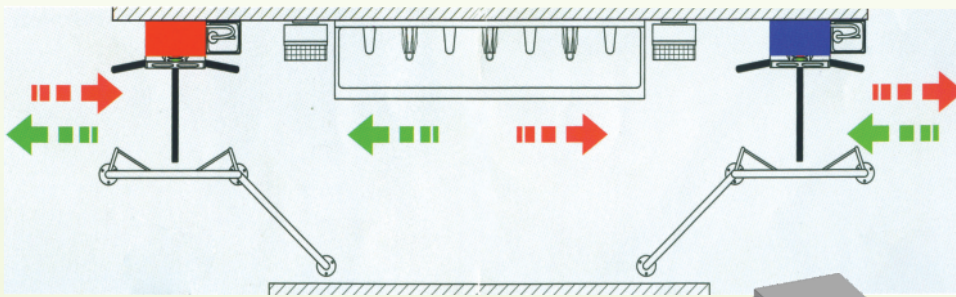
2 Hand Sanitizer Dispensing Unit
with Turnstile



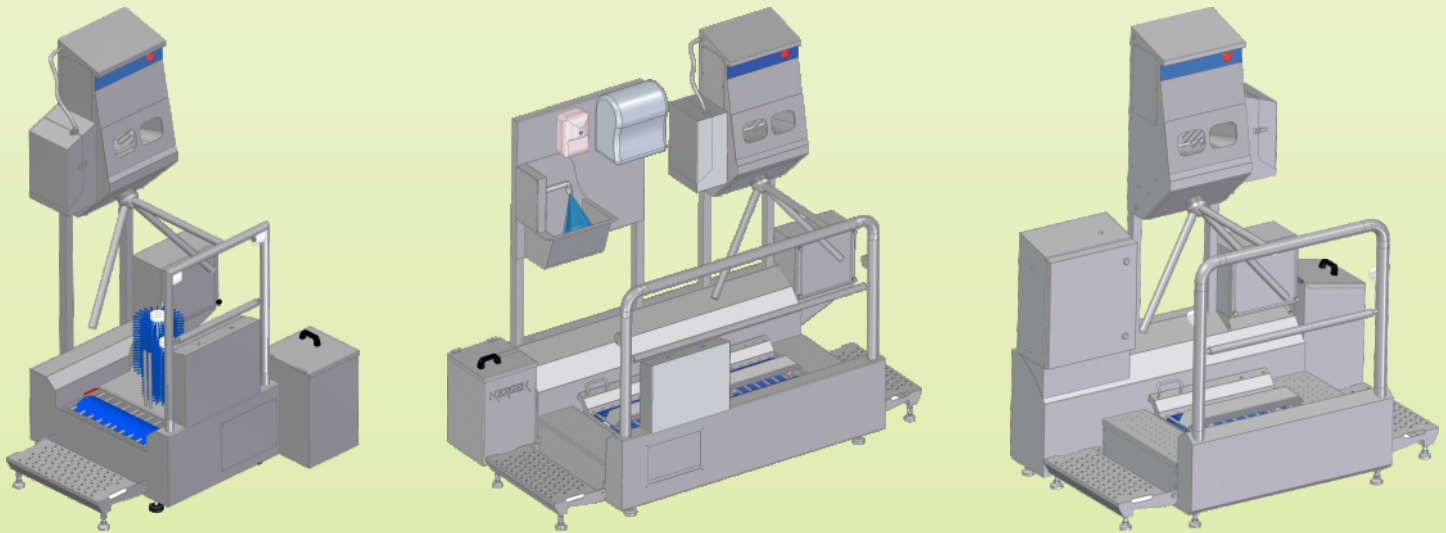
Combined Soap dispensing + Hand Washing &
Hand Sanitizer Dispensing Unit with Turnstile

Hygiene Station Features:

- ◆ Completely Constructed in Stainless Steel (SS304)
- ◆ **Space Saving** : Compact System with Maximum functions
- ◆ **Energy Efficient** : 24 V Control System
- ◆ Touch Free Hand and Sole Sanitation Process



Modular Hand Sanitation Stations



Modular Sole Cleaning Stations



Stainless Steel Drainage Systems (SS304)